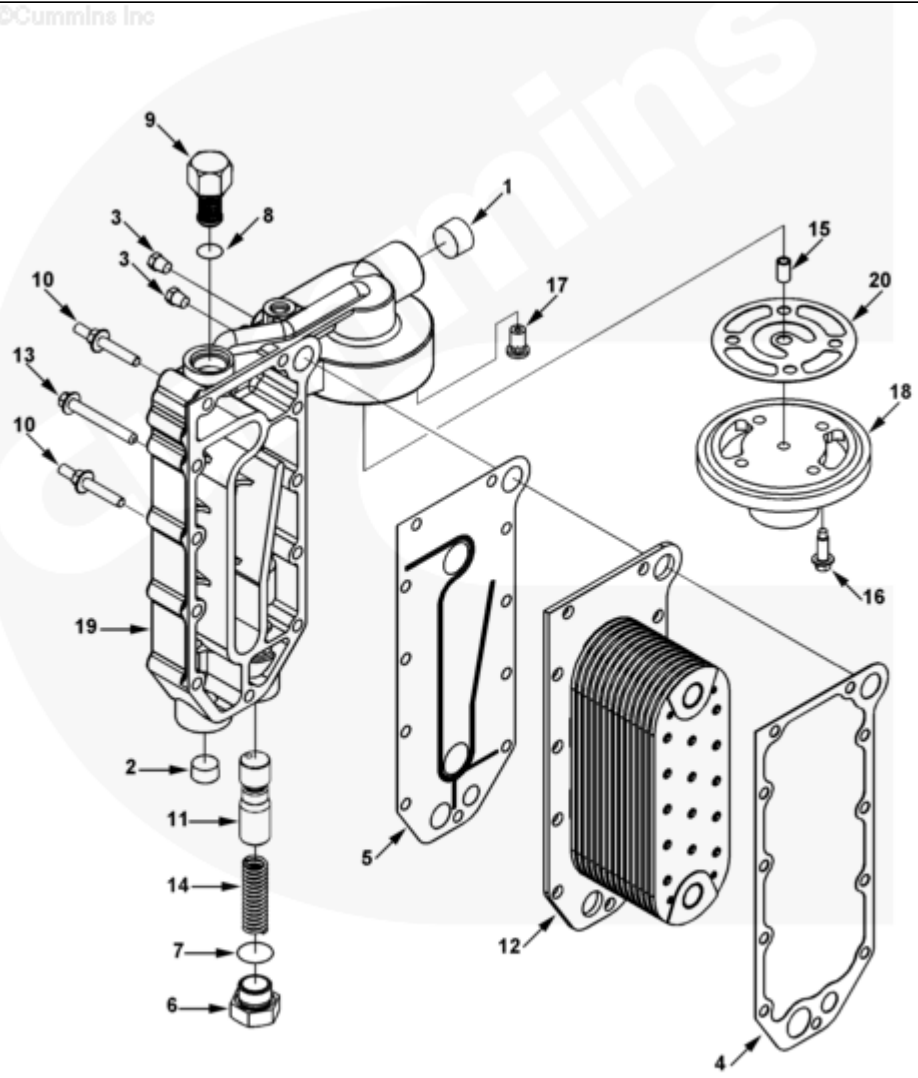




Parts Catalog - Option Detail

| Electronic Parts Catalog - Option Detail | | | | |
|--|--|---------|-----------|-----------|
| Option | Group | Graphic | Film Card | Date |
| LC9297-04 | 07.05 | lc953gq | Z | 09-APR-13 |
| Engines | 6C8.3, C GAS PLUS CM556, G8.3, G8.3 CM558, GTA8.3 CM558, ISC CM2150, ISC CM554, ISC CM850, ISC8.3 CM2250, ISC8.3 G CM2180 C101, ISL CM2150, ISL CM554, ISL CM850, ISL G CM2180, ISL8.9 CM2150 L110, ISL8.9 CM2880 L112, ISL9 CM2150 SN, ISL9 CM2250, ISL9 CM2350 L101, ISL9 CM2350 L111, ISLE4 CM850, L GAS PLUS CM556, L8.9, L8.9 L121, L8.9G CMOH2.0 L125B, L9 CM2350 L116B, L9 CM2350 L119B, L9 CM2350 L120C, L9 CM2350 L123B, L9.3 L105, L9.5 L117, L9N CM2380 L124B, QSC8.3 CM2250, QSC8.3 CM2880 C102, QSC8.3 CM554, QSC8.3 CM850(CM2850), QSL9 CM2250, QSL9 CM2250 L115, QSL9 CM2350 L102, QSL9 CM2350 L107, QSL9 CM2350 L118, QSL9 CM2350 L122, QSL9 CM554, QSL9 CM850(CM2850), QSL9 G CM558, QSL9 M CM2250 L106, QSL9.3 CM2880 L113 | | | |



lc953gq

| Cart | Ref No | Part Number | Part Description | Required | Remarks |
|------------------------------|--------|---------------------------|-------------------------------------|----------|--|
| View My Cart | | | | | |
| | | LC9297-04 | Engine Oil Cooler | | Engine Oil Cooler...(More) |
| | | | | | Engine Family: C Series |
| | | | | | Type: 15 Plate |
| | | | | | Mounting Location: Block |
| | | | | | Cavity Exhaust Side |
| | | | | | Pressure Relief Valve: Yes |
| | | | | | Oil Flow Thermostat: Yes |
| | | | | | Unique Characteristics: |
| | | | | | Includes Three Studs for OEM |
| | | | | | Attachment Provision |
| | | | | | 50 PSI Lube Cooler Bypass |
| | | | | | Valve for Marine Use Only |
| | | | | | Pipe Plug 3008468 May Be Used |
| | | | | | In Place of 4931643 |
| | | | | | Pipe Plug 3008469 May Be Used |
| | | | | | in Place of 4933532 |
| | | | | | |
| <input type="checkbox"/> | 1 | 4931643 | Pipe Plug | 1 | 1/2 NPT |
| <input type="checkbox"/> | 2 | 4933532 | Pipe Plug | 1 | 3/4 NPT |
| <input type="checkbox"/> | 3 | 3906619 | Pipe Plug | 1 | 1/8 NPT. |
| <input type="checkbox"/> | 4 | 3918174 | Oil Cooler Core Gasket | 1 | |
| <input type="checkbox"/> | 5 | 3929011 | Lubricating Oil Cooler Cover Gasket | 1 | |
| <input type="checkbox"/> | | 3931084 | Threaded Plug | 1 | |
| <input type="checkbox"/> | 6 | 3930910 | Threaded Plug | 1 | |
| <input type="checkbox"/> | 7 | 3930911 | O-Ring Seal | 1 | |
| <input type="checkbox"/> | | 4948564 | Bypass Valve | 1 | |
| <input type="checkbox"/> | 8 | 3201562 | O-Ring Seal | 1 | |
| <input type="checkbox"/> | 9 | 4948563 | Bypass Valve | 1 | |

| | | | | | |
|--------------------------|----|-------------------------|-------------------------------|---|-------------------------------|
| <input type="checkbox"/> | 10 | 3944874 | Studded Flange Cap Screw | 3 | |
| <input type="checkbox"/> | 11 | 3945967 | Pressure Regulator Plunger | 1 | Use W/Dump to Sump ISL Block. |
| <input type="checkbox"/> | 12 | 5284362 | Cooler Core | 1 | |
| <input type="checkbox"/> | 13 | 3966976 | Hexagon Flange Head Cap Screw | 8 | M8 x 1.25 x 65 |
| <input type="checkbox"/> | 14 | 3970655 | Compression Spring | 1 | |
| <input type="checkbox"/> | | 3974326 | Lubricating Oil Filter Head | 1 | |
| <input type="checkbox"/> | 15 | 118227 | Ring Dowel | 1 | |
| <input type="checkbox"/> | 16 | 3907860 | Hexagon Flange Head Cap Screw | 4 | M8 x 1.25 x 25 |
| <input type="checkbox"/> | 17 | 3936365 | Pressure Relief Valve | 1 | |
| | 18 | 3966885 | Lubricating Oil Filter Head | 1 | |
| <input type="checkbox"/> | 19 | 3974324 | Lubricating Oil Cooler Cover | 1 | |
| <input type="checkbox"/> | 20 | 3992092 | Connection Gasket | 1 | |

© 2019 Cummins Inc., Box 3005, Columbus, IN 47202-3005 U.S.A.
Terms of Use and Disclaimers | Recommended System Requirements
Need Assistance? Please click on the Contact Us button in the top right corner of any page.